

EURO-BEARINGS LTD



TOLERANCE RINGS

www.euro-bearings.com

Tel. 01908 511733

TOLERANCE RINGS

Short lead times & small minimum order quantities. Can also be made to your requirements.

What is a tolerance ring?

It is a corrugated metal strip that acts as an interface between two mechanical objects, to secure one to the other by interference fit.

What are tolerance rings made from?

Spring Steel Strip or Stainless Steel Strip - the majority from Stainless.

How do I specify the tolerance ring I need?

There are two basic types of ring & the simplest way to remember is this:

Type BN is used for holding a bearing/object onto a shaft

Type AN is used for holding a bearing/object into a housing.

Following this rule, you can easily select the ring you want for other jobs..... for example holding a knob onto a shaft use a BN type tolerance ring

What sort of torque can be transmitted - will they slip?

See the data sheets for the dimensions of the mating parts and the torque transfer capability. Please note the torque transfer values should only be used as a guide as the component materials may affect the values achieved.

If the torque stated is exceeded the tolerance ring will slip - this can be a means of preventing damage.

The allowable torques are high.

What other advantages do tolerance rings have?

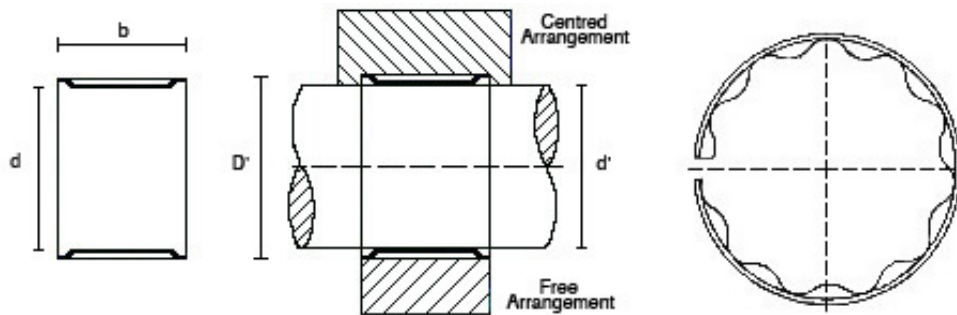
- Quick & easy assembly and disassembly
- Compensation for thermal expansion (in some cases up to 450°C)
- Secure connection over a range of tolerances reducing requirement for post processing of components
- Reduced vibrations & oscillations due to the spring effect of the Tolerance Ring which also helps with noise reduction
- Cost savings in assembly and damage protection
- Facilitate torque control
- Wide range of standard sizes on quick delivery
- Customised solutions possible

www.euro-bearings.com

Tel. 01908 511733 Fax. 01908 511713

EURO-BEARINGS LTD

AN TYPE



Other sizes are available. Please enquire.

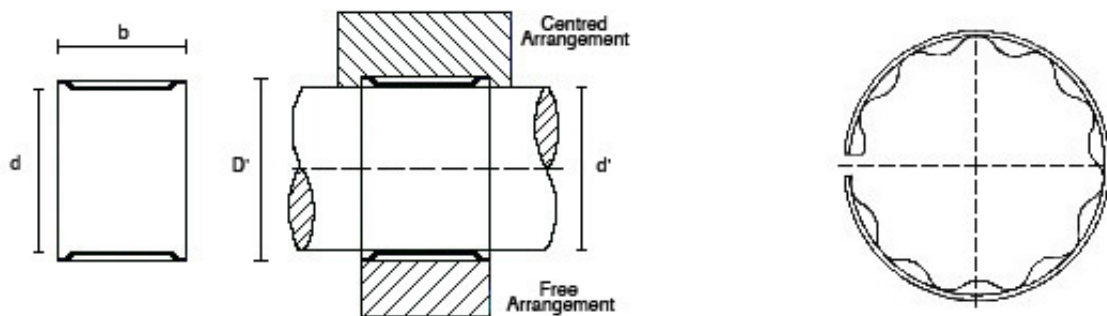
Tolerance Ring Reference	d (mm)	b (mm)	d' h9 (mm)	Housing Bore for Mounting Rolling Bearings D' (mm)	Housing Bore for Torque Transfer D' (mm)	Torque Capacity (Nm)	Permissible Radial Load P (N)
AN04-508	4	8	4	4.93 TO 4.95	4.82 TO 4.86	0.25	90
AN05-505	5	5	5	5.93 TO 5.95	5.82 TO 5.86	0.45	100
AN05-508	5	8	5	"	"	0.66	160
AN05-512	5	12	5	"	"	1.25	250
AN06-506	6	6	6	6.93 TO 6.985	6.82 TO 6.86	0.45	133
AN06-508	6	8	6	"	"	0.75	240
AN06-510	6	10	6	"	"	1	290
AN08-506	8	6	8	9.41 TO 9.48	9.23 TO 9.30	1	240
AN08-508	8	8	8	"	"	1.45	360
AN08-512	8	12	8	"	"	2	580
AN10-504	10	4	10	11.41 TO 11.48	11.23 TO 11.30	0.95	480
AN10-506	10	6	10	"	"	2.3	850
AN10-508	10	8	10	"	"	2.5	1020
AN10-510	10	10	10	"	"	3	1220
AN10-512	10	12	10	"	"	3.5	1650
AN10-514	10	14	10	"	"	4	2050
AN12-504	12	4	12	13.41 TO 13.48	13.23 TO 13.30	1.6	720
AN12-506	12	6	12	"	"	3	1200
AN12-510	12	10	12	"	"	4	1825
AN12-512	12	12	12	"	"	6	2400
AN12-516	12	16	12	"	"	8	3025
AN12-518	12	18	12	"	"	9	3350
AN14-508	14	8	14	15.41 TO 15.48	15.23 TO 15.30	5	1800
AN14-512	14	12	14	"	"	7	2410
AN14-514	14	14	14	"	"	9	2750
AN15-508	15	8	15	16.41 TO 16.48	16.23 TO 16.30	5.5	1825
AN15-512	15	12	15	"	"	7.5	2500
AN15-514	15	14	14	"	"	11	2975
AN16-505	16	5	16	17.41 TO 17.48	17.23 TO 17.30	4	1100

www.euro-bearings.com

Tel. 01908 511733 Fax. 01908 511713

EURO-BEARINGS LTD

AN TYPE (cont'd)



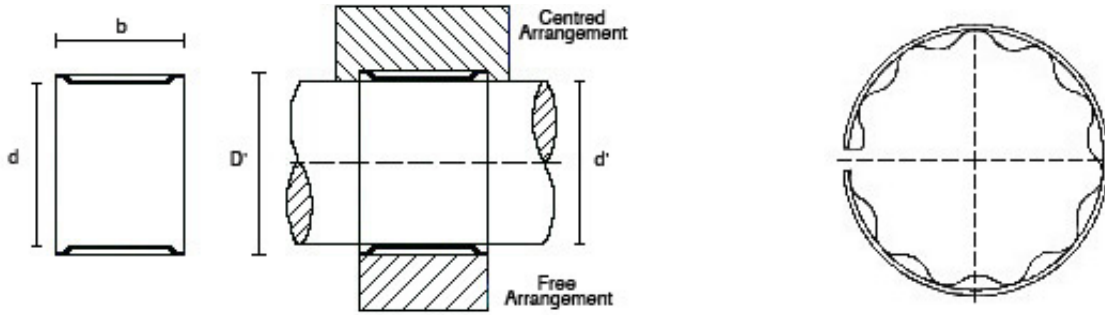
Tolerance Ring Reference	d (mm)	b (mm)	d' h9 (mm)	Housing Bore for Mounting Rolling Bearings D' (mm)	Housing Bore for Torque Transfer D' (mm)	Torque Capacity (Nm)	Permissible Radial Load P (N)
AN16-508	16	8	16	17.41 TO 17.48	17.23 TO 17.30	7	1900
AN16-510	16	10	16	"	"	8	2275
AN16-512	16	12	16	"	"	9	2800
AN16-516	16	16	16	"	"	14	3650
AN16-520	16	20	16	"	"	16	4300
AN18-506	18	6	18	19.89 TO 19.98	16.67 TO 19.75	6.5	1300
AN18-510	18	10	18	"	"	11	2450
AN18-516	18	16	18	"	"	17	4100
AN19-506	19	6	19	20.89 TO 20.98	20.67 TO 20.75	7	1875
AN19-510	19	10	19	"	"	12	2950
AN19-516	19	16	19	"	"	21	4450
AN20-512	20	12	20	21.89 TO 21.98	21.67 TO 21.75	18	3650
AN20-514	20	14	20	"	"	22	4300
AN20-516	20	16	20	"	"	24	4900
AN20-520	20	20	20	"	"	30	6100
AN22-505	22	5	22	23.89 TO 23.98	23.67 TO 23.75	12	1650
AN22-507	22	7	22	"	"	16	2450
AN22-510	22	10	22	"	"	18	3525
AN22-516	22	16	22	"	"	30	5450
AN22-520	22	20	22	"	"	35	7000
AN22-522	22	22	22	"	"	38	8200
AN24-506	24	6	24	25.89 TO 25.98	25.67 TO 25.75	17	2320
AN24-507	24	7	24	"	"	18	2715
AN24-512	24	12	24	"	"	29	5550
AN24-516	24	16	24	"	"	32	7800
AN24-520	24	20	24	"	"	45	9000
AN25-510	25	10	25	26.89 TO 26.98	26.67 TO 26.75	24	4300
AN25-516	25	16	25	"	"	35	7800
AN25-520	25	20	25	"	"	47	9000
AN26-508	26	8	26	27.89 TO 27.98	27.67 TO 27.75	21	3425
AN26-510	26	10	26	"	"	26	4500

EURO-BEARINGS LTD

www.euro-bearings.com

Tel. 01908 511733 Fax. 01908 511713

AN TYPE (cont'd)



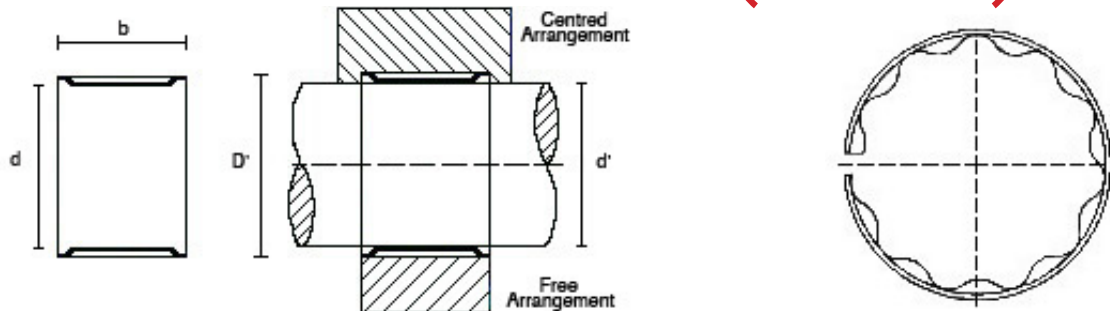
Tolerance Ring Reference	d (mm)	b (mm)	d' h9 (mm)	Housing Bore for Mounting Rolling Bearings D' (mm)	Housing Bore for Torque Transfer D' (mm)	Torque Capacity (Nm)	Permissible Radial Load P (N)
AN26-512	26	12	26	27.89 TO 27.98	27.67 TO 27.75	31	5600
AN26-516	26	16	26	"	"	43	8250
AN26-520	26	20	26	"	"	52	9600
AN28-508	28	8	28	29.89 TO 29.98	29.67 TO 29.75	27	4000
AN28-510	28	10	28	"	"	30	4700
AN28-512	28	12	28	"	"	39	6250
AN28-520	28	20	28	"	"	55	9050
AN28-530	28	30	28	"	"	92	15250
AN30-508	30	8	30	31.89 TO 31.98	31.67 TO 31.725	28	4100
AN30-512	30	12	30	"	"	40	5700
AN30-516	30	16	30	"	"	50	8065
AN30-530	30	30	30	"	"	95	15500
AN32-508	32	8	32	33.89 TO 33.98	33.67 TO 33.75	30	3000
AN32-510	32	10	32	"	"	35	3200
AN32-514	32	14	32	"	"	50	4200
AN35-510	35	10	35	36.89 TO 36.98	36.67 TO 36.75	43	3350
AN35-516	35	16	35	"	"	70	8200
AN35-530	35	30	35	"	"	145	9200
AN40-510	40	10	40	41.89 TO 41.98	41.67 TO 41.75	62	3300
AN40-512	40	12	40	"	"	72	4450
AN40-516	40	16	40	"	"	91	6230
AN40-520	40	20	40	"	"	125	8450
AN40-530	40	30	40	"	"	180	12000
AN42-512	42	12	42	43.89 TO 43.98	43.67 TO 43.75	75	4900
AN42-520	42	20	42	"	"	130	8500
AN42-530	42	30	42	"	"	225	13250
AN45-520	45	20	45	46.89 TO 46.98	46.67 TO 46.75	165	8700
AN47-508	47	8	47	48.89 TO 48.98	48.67 TO 48.75	76	2850
AN47-514	47	14	47	"	"	117	6230
AN47-518	47	18	47	"	"	175	8300
AN47-520	47	20	47	"	"	210	8450

EURO-BEARINGS LTD

www.euro-bearings.com

Tel. 01908 511733 Fax. 01908 511713

AN TYPE (cont'd)



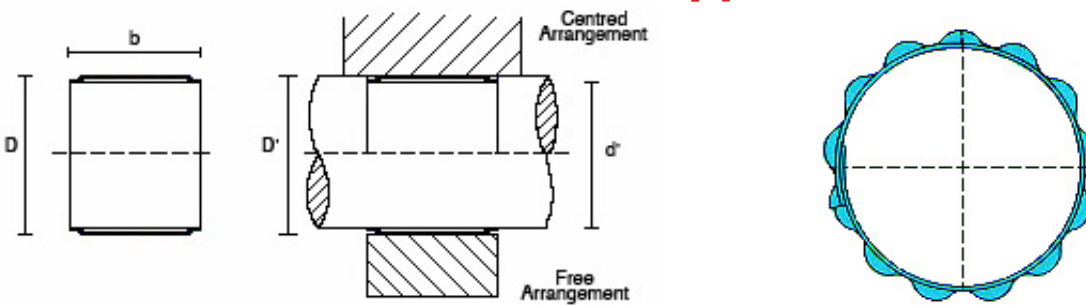
Tolerance Ring Reference	d (mm)	b (mm)	d' h9 (mm)	Housing Bore for Mounting Rolling Bearings D' (mm)	Housing Bore for Torque Transfer D' (mm)	Torque Capacity (Nm)	Permissible Radial Load P (N)
AN47-522	47	22	47	48.89 TO 48.98	48.67 TO 48.75	235	10750
AN50-515	50	15	50	52.35 TO 52.47	52.03 TO 52.15	157	6600
AN50-520	50	20	50	"	"	215	10100
AN52-508	52	8	52	54.35 TO 54.47	54.03 TO 54.15	100	3200
AN52-515	52	15	52	"	"	165	7120
AN52-520	52	20	52	"	"	225	10300
AN55-512	55	12	55	57.35 TO 57.47	57.03 TO 57.15	156	5550
AN55-515	55	15	55	"	"	210	7565
AN55-520	55	20	55	"	"	260	10750
AN60-515	60	15	60	62.35 TO 62.47	62.03 TO 62.15	280	8800
AN60-525	60	25	60	"	"	475	15500
AN62-509	62	9	62	64.35 TO 64.47	64.03 TO 64.15	200	4700
AN62-515	62	15	62	"	"	290	8450
AN62-520	62	20	62	"	"	405	12000
AN65-525	65	25	65	67.35 TO 67.47	67.03 TO 67.15	520	14900
AN68-515	68	15	68	70.35 TO 70.47	70.03 TO 70.15	360	11000
AN70-525	70	25	70	72.35 TO 72.47	72.03 TO 72.15	550	16900
AN72-510	72	10	72	74.35 TO 74.47	74.03 TO 74.15	230	6000
AN72-517	72	17	72	"	"	420	13000
AN72-519	72	19	72	"	"	470	14500
AN72-520	72	20	72	"	"	490	15000
AN75-516	75	16	75	77.35 TO 77.47	77.03 TO 77.15	520	13000
AN75-520	75	20	75	"	"	600	15000
AN80-516	80	16	80	82.35 TO 82.47	82.03 TO 82.15	520	14500
AN80-518	80	18	80	"	"	580	16000
AN80-520	80	20	80	"	"	630	16800
AN80-521	80	21	80	82.35 TO 82.47	82.03 TO 82.15	650	17500
AN85-519	85	19	85	87.82 TO 87.96	87.42 TO 87.56	700	17000
AN90-515	90	15	90	92.82 TO 92.96	92.42 TO 92.56	560	14000
AN90-520	90	20	90	"	"	770	18000
AN90-523	90	23	90	"	"	870	21000
AN100-525	100	25	100	102.82 TO 102.96	102.42 TO 102.56	1300	25000
AN110-527	110	27	110	112.82 TO 112.96	112.42 TO 112.56	1700	31000

www.euro-bearings.com

Tel. 01908 511733 Fax. 01908 511713

EURO-BEARINGS LTD

BN type



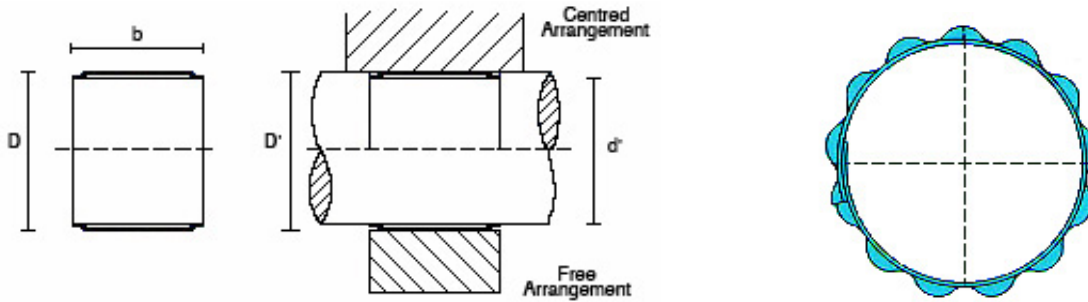
Tolerance Ring Reference	D (mm)	b (mm)	D' H9 (Bore) (mm)	Shaft for Mounting Rolling Bearings d' (mm)	Shaft for Torque Transfer d' (mm)	Torque Capacity (Nm)	Permissible Radial Load P (N)
BN05-505	5	5	5	4.01 TO 4.06	4.14 TO 4.18	0.17	180
BN05-506	5	6	5	"	"	0.22	225
BN05-508	5	8	5	"	"	0.35	260
BN05-510	5	10	5	"	"	0.5	310
BN06-506	6	6	6	5.01 TO 5.06	5.14 TO 5.18	0.33	380
BN06-508	6	8	6	"	"	0.45	575
BN06-510	6	10	6	"	"	0.9	690
BN06-512	6	12	6	"	"	1.25	940
BN08-505	8	5	8	6.51 TO 6.57	6.65 TO 6.71	0.45	550
BN08-507	8	7	8	"	"	0.68	780
BN08-508	8	8	8	"	"	0.8	910
BN08-510	8	10	8	"	"	1	1125
BN09-508	9	8	9	7.51 TO 7.57	7.65 TO 7.71	0.85	1070
BN10-506	10	6	10	8.51 TO 8.57	8.65 TO 8.71	1.8	950
BN10-510	10	10	10	"	"	3	1275
BN10-512	10	12	10	"	"	3.6	1650
BN10-516	10	16	10	"	"	4.5	2100
BN11-508	11	8	11	9.51 TO 9.57	9.65 TO 9.71	2.5	1250
BN11-510	11	10	11	"	"	4	1400
BN11-514	11	14	11	"	"	5.5	1680
BN12-506	12	6	12	10.52 TO 10.59	10.70 TO 10.77	2.2	1075
BN12-508	12	8	12	"	"	3.2	1300
BN12-510	12	10	12	"	"	4.5	1560
BN12-512	12	12	12	"	"	5.3	2100
BN12-514	12	14	12	"	"	6.1	2400
BN12-518	12	18	12	"	"	7.9	3075
BN13-508	13	8	13	11.52 TO 11.59	11.70 TO 11.77	4	1650
BN13-510	13	10	13	"	"	4.75	1800
BN13-512	13	12	13	"	"	5.6	2300
BN13-515	13	15	13	"	"	7.2	3000
BN14-508	14	8	14	12.52 TO 12.59	12.70 TO 12.77	4.2	1825
BN14-510	14	10	14	"	"	4.9	2000

www.euro-bearings.com

Tel. 01908 511733 Fax. 01908 511713

EURO-BEARINGS LTD

BN type (cont'd)



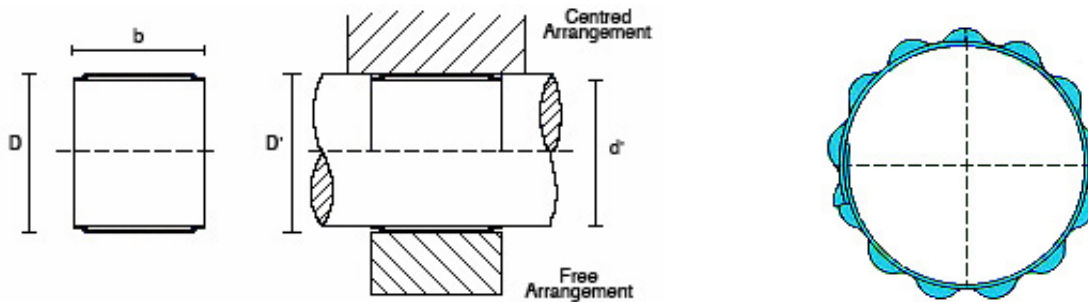
Tolerance Ring Reference	D (mm)	b (mm)	D' H9 (Bore) (mm)	Shaft for Mounting Rolling Bearings d' (mm)	Shaft for Torque Transfer d' (mm)	Torque Capacity (Nm)	Permissible Radial Load P (N)
BN15-506	15	6	15	13.52 TO 13.59	13.70 TO 13.77	3.7	1200
BN15-508	15	8	15	"	"	3.9	1600
BN15-510	15	10	15	"	"	4.8	2025
BN15-512	15	12	15	"	"	6.8	2650
BN15-514	15	14	15	"	"	11	3400
BN15-519	15	19	15	"	"	12.5	3900
BN16-510	16	10	16	14.52 TO 14.59	14.70 TO 14.77	7	2600
BN16-514	16	14	14	"	"	10.5	3100
BN16-516	16	16	16	"	"	12	3500
BN16-520	16	20	16	"	"	15	4010
BN17-506	17	6	17	15.52 TO 15.59	15.70 TO 15.77	3.9	1500
BN17-508	17	8	17	"	"	4.8	1800
BN17-510	17	10	17	"	"	8	2650
BN17-512	17	12	17	"	"	10	2800
BN17-514	17	14	17	"	"	12	3200
BN17-516	17	16	17	"	"	14	3650
BN17-522	17	22	17	"	"	19	5200
BN18-510	18	10	18	16.52 TO 16.59	16.70 TO 16.77	9	2650
BN18-512	18	12	18	"	"	11	3075
BN18-516	18	16	18	"	"	15	3900
BN18-522	18	22	18	"	"	21	5600
BN19-510	19	10	19	17.52 TO 17.59	17.70 TO 17.77	10	2800
BN19-519	19	19	19	"	"	19	4900
BN19-522	19	22	19	"	"	22	6000
BN20-506	20	6	20	18.02 TO 18.11	18.25 TO 18.33	7	1600
BN20-508	20	8	20	"	"	9	2200
BN20-510	20	10	20	"	"	12	2900
BN20-512	20	12	20	"	"	15	3750
BN20-514	20	14	20	"	"	18	4600
BN20-515	20	15	20	"	"	19	5200
BN20-518	20	18	20	"	"	23	5900

www.euro-bearings.com

Tel. 01908 511733 Fax. 01908 511713

EURO-BEARINGS LTD

BN type (cont'd)



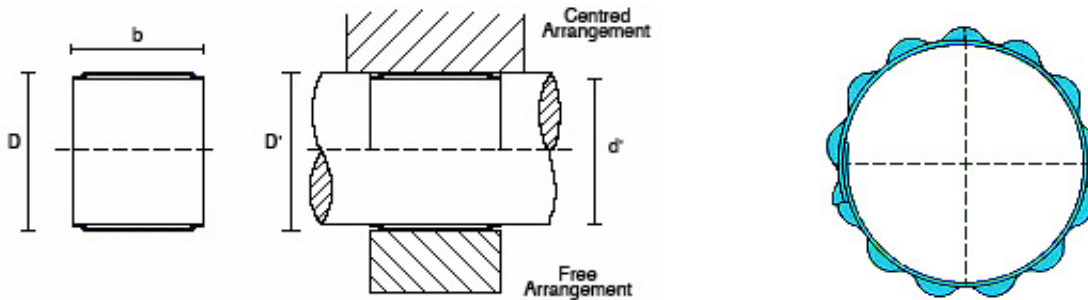
Tolerance Ring Reference	D (mm)	b (mm)	D' H9 (Bore) (mm)	Shaft for Mounting Rolling Bearings d' (mm)	Shaft for Torque Transfer d' (mm)	Torque Capacity (Nm)	Permissible Radial Load P (N)
BN20-520	20	20	20	18.02 TO 18.11	18.25 TO 18.33	25	6850
BN20-522	20	22	20	"	"	28	7700
BN22-512	22	12	22	20.02 TO 20.11	20.25 TO 20.33	18	4450
BN22-515	22	15	22	"	"	26	5550
BN22-522	22	22	22	"	"	33	8250
BN24-515	24	15	24	22.02 TO 22.11	22.25 TO 22.33	30	5950
BN24-522	24	22	24	"	"	40	9000
BN24-524	24	24	24	"	"	48	10200
BN25-508	25	8	25	23.02 TO 23.11	23.25 TO 23.33	15	3000
BN25-510	25	10	25	"	"	20.08-0	3850
BN25-512	25	12	25	"	"	22	4900
BN25-514	25	14	25	"	"	27	6050
BN25-515	25	15	25	"	"	28	6450
BN25-518	25	18	25	"	"	38	7200
BN25-520	25	20	25	"	"	41	7575
BN25-525	25	25	25	"	"	53	10600
BN28-512	28	12	28	26.02 TO 26.11	26.25 TO 26.33	30	5750
BN28-520	28	20	28	"	"	53	10600
BN28-522	28	22	28	"	"	60	11300
BN28-525	28	25	28	"	"	71	12000
BN30-508	30	8	30	28.02 TO 28.11	28.25 TO 28.33	25	2800
BN30-510	30	10	30	"	"	29	4200
BN30-512	30	12	30	"	"	35	5400
BN30-515	30	15	30	"	"	47	7000
BN30-520	30	20	30	"	"	60	10200
BN30-523	30	23	30	"	"	70	12200
BN30-530	30	30	30	"	"	95	16600
BN32-512	32	12	32	30.02 TO 30.11	30.25 TO 30.33	44	5800
BN32-516	32	16	32	"	"	56	8400
BN32-530	32	30	32	"	"	110	17000
BN35-508	35	8	35	33.03 TO 33.13	33.30 TO 33.40	38	2000

www.euro-bearings.com

Tel. 01908 511733 Fax. 01908 511713

EURO-BEARINGS LTD

BN type (cont'd)



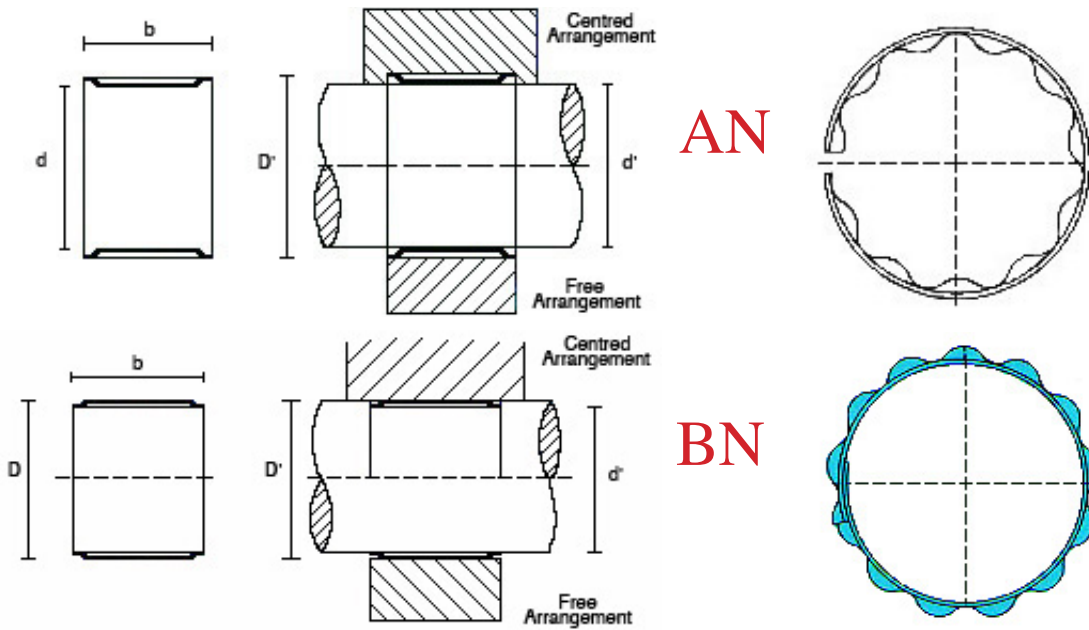
Tolerance Ring Reference	D (mm)	b (mm)	D' H9 (Bore) (mm)	Shaft for Mounting Rolling Bearings d' (mm)	Shaft for Torque Transfer d' (mm)	Torque Capacity (Nm)	Permissible Radial Load P (N)
BN35-510	35	10	35	33.03 TO 33.13	33.30 TO 33.40	40	4000
BN35-512	35	12	35	"	"	48	4600
BN35-515	35	15	35	"	"	60	4950
BN35-525	35	25	35	"	"	110	8650
BN35-530	35	30	35	"	"	130	9800
BN36-515	36	15	36	34.03 TO 34.13	34.30 TO 34.40	63	5100
BN36-530	36	30	36	"	"	135	10300
BN40-510	40	10	40	38.03 TO 38.13	38.30 TO 38.40	55	3800
BN40-512	40	12	40	"	"	63	4500
BN40-515	40	15	40	"	"	83	5400
BN40-530	40	30	40	"	"	180	12000
BN45-510	45	10	45	43.03 TO 43.13	43.30 TO 43.40	68	4250
BN45-515	45	15	45	"	"	102	6230
BN45-520	45	20	45	"	"	145	9400
BN45-525	45	25	45	"	"	200	11000
BN45-530	45	30	45	"	"	230	13950
BN50-512	50	12	50	48.03 TO 48.13	48.30 TO 48.40	107	5750
BN50-516	50	16	50	"	"	141	7565
BN50-520	50	20	50	"	"	186	9575
BN50-530	50	30	50	"	"	310	13400
BN55-510	55	10	55	52.53 TO 52.65	52.85 TO 52.97	125	4900
BN55-514	55	14	55	"	"	175	6750
BN60-522	60	22	60	57.53 TO 57.65	57.85 TO 57.97	350	13200
BN60-528	60	28	60	"	"	460	17000
BN65-523	65	23	65	62.53 TO 62.65	62.85 TO 62.97	500	15000
BN65-533	65	33	65	"	"	650	21000
BN80-539	80	39	80	77.53 TO 77.65	77.85 TO 77.97	1120	30000
BN85-522	85	22	85	82.04 TO 82.18	82.44 TO 82.58	800	19000
BN90-524	90	24	90	87.04 TO 87.18	87.44 TO 87.58	850	22000
BN90-530	90	30	90	"	"	1100	27000
BN140-522	140	22	140	136.04 TO 136.20	136.52 TO 136.68	1250	26000

www.euro-bearings.com

Tel. 01908 511733 Fax. 01908 511713

EURO-BEARINGS LTD

Tolerance Ring by Bearing



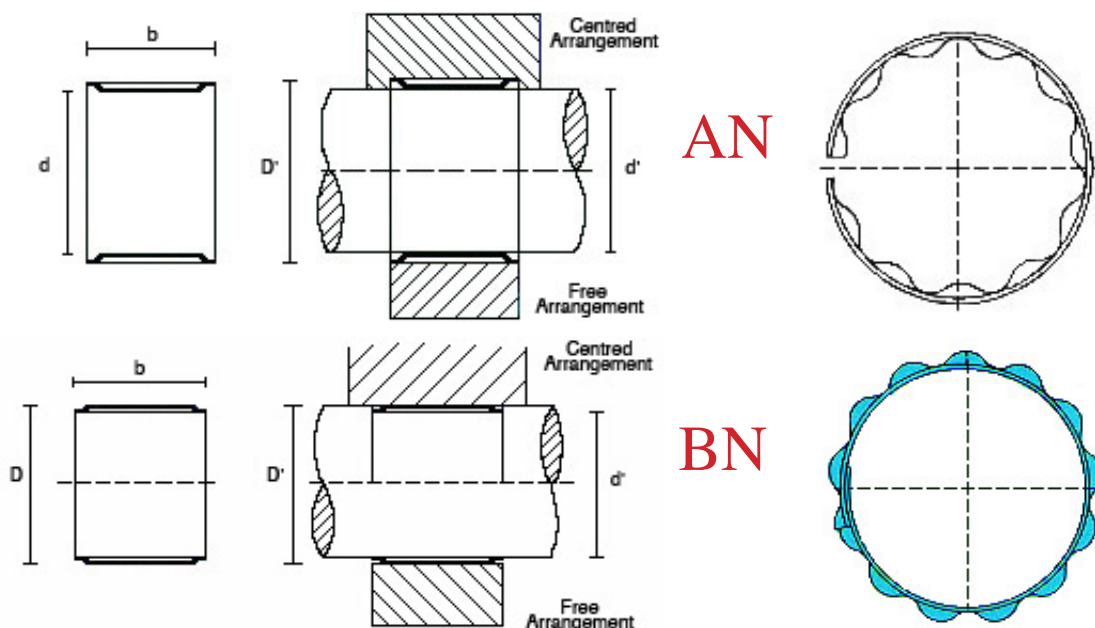
Bearing Ref *	Bearing Dimensions ID x OD x Width	Tolerance Ring for Inner	Shaft Diameter d'	Groove "b" width to C13 tol	Tolerance Ring for Outer	Bore Diameter D'	Groove b' width to C13 tol
6000	10x26x8	BN10-505	8.51 to 8.57	5	AN26-508	27.89 to 27.98	8
6200	10x30x9	BN10-505	"	"	AN30-508	31.89 to 31.98	8
6300	10x35x11	BN10-505	"	"	AN35-510	36.89 to 36.98	10
6001	12x28x8	BN12-506	10.52 to 10.59	6	AN28-508	29.89 to 29.98	8
6201	12x32x8	BN12-506	"	"	AN32-510	33.89 to 33.98	10
6002	15x32x8	BN15-506	13.52 to 13.59	6	AN32-508	"	8
6202	15x35x11	"	"	"	AN35-510	36.89 to 36.98	10
6302	15x42x13	"	"	"	AN42-512	43.89 to 43.98	12
6003	17x35x10	BN17.506	15.52 to 15.59	"	AN35-510	36.89 to 36.98	10
6203	17x40x12	"	"	"	AN40-512	41.89 to 41.98	12
6303	17x47x14	BN17-508	"	8	AN47-514	48.89 to 48.98	14
6004	20x42x12	BN20-506	18.02 to 18.11	6	AN42-512	43.89 to 43.98	12
6204	20x47x14	BN20-508	"	8	AN47-514	48.89 to 48.98	14
6304	20x52x15	"	"	"	AN52-515	54.35 to 54.47	15
6005	25x47x12	BN25-508	23.02 to 23.11	"	AN47-508	48.89 to 48.98	8
6205	25x52x15	BN25-510	"	10	AN52-515	54.35 to 54.47	15
6305	25x62x17	BN25-512	"	12	AN62-515	64.35 to 64.47	15

EURO-BEARINGS LTD

www.euro-bearings.com

Tel. 01908 511733 Fax. 01908 511713

Tolerance Ring by Bearing (cont'd)



Bearing Ref *	Bearing Dimensions ID x OD x Width	Tolerance Ring for Inner	Shaft Diameter d'	Groove "b" width to C13 tol	Tolerance Ring for Outer	Bore Diameter D'	Groove b' width to C13 tol
6006	30x55x13	BN30-508	28.02 to 28.11	8	AN55-512	57.35 to 57.47	12
6206	30x62x16	BN30-510	"	10	AN62-515	64.35 to 64.47	15
6306	30x72x19	BN30-512	"	12	AN72-519	74.35 to 74.47	19
6007	35x62x14	BN35-508	33.03 to 33.13	8	AN62-510	64.35 to 64.47	10
6207	35x72x17	BN35-510	"	10	AN72-517	74.35 to 74.47	17
6307	35x80x21	BN35-512	"	12	AN80-521	82.35 to 82.47	21
6008	40x68x15	BN40-510	38.01 to 38.13	10	AN68-515	70.35 to 70.47	15
6208	40x80x18	BN40-512	"	12	AN80-018	82.35 to 82.47	18
6308	40x90x23	BN40-515	"	15	AN90-023	92.82 to 92.96	23
6009	45x75x16	BN45-510	43.03 to 43.13	10	AN75-516	77.35 to 77.47	16
6209	45x85x19	"	"	"	AN85-519	87.82 to 87.96	19
6309	45x100x25	BN45-515	"	15	AN100-525	102.82 to 102.96	25
6010	50x80x16	BN50-512	48.03 to 48.13	12	AN80-516	82.35 to 82.47	16
6210	50x90x20	"	"	"	AN90-520	92.82 to 92.96	20
6310	50x110x27	BN50-516	"	16	AN110-527	112.82 to 112.96	27

www.euro-bearings.com

Tel. 01908 511733 Fax. 01908 511713

EURO-BEARINGS LTD



Vee Bearings
& Rails

Linear Bearings
& Shafts



**NEED TECHNICAL ADVICE?
Contact Kate or Matt**

**Tel. 01908 511733
email: sales@euro-bearings.com**

www.euro-bearings.com

EURO-BEARINGS LTD
29-31 Lodge Farm Business Centre
Wolverton Road
Castlethorpe
Milton Keynes
MK19 7ES

January 2024