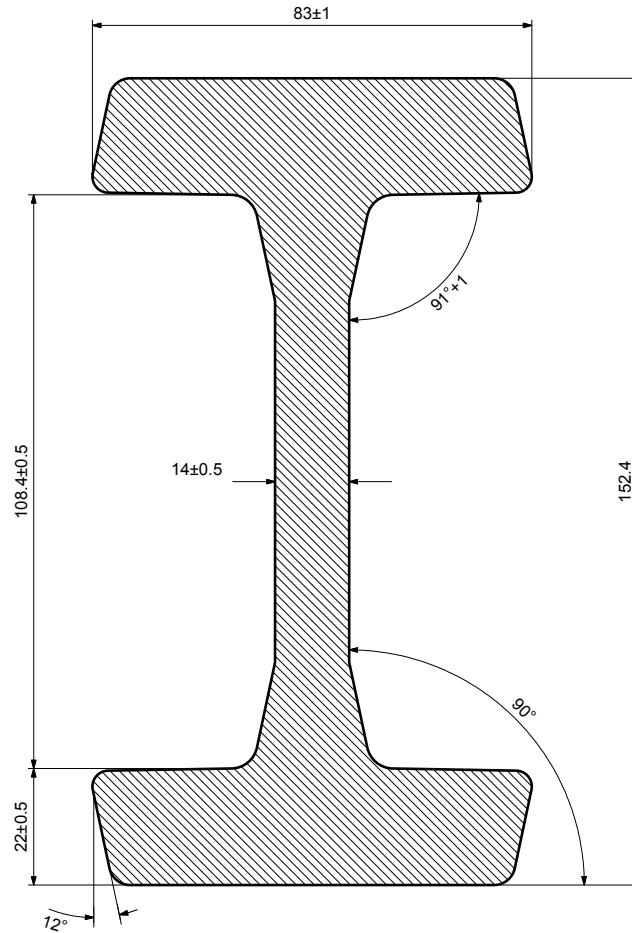


STANDARD CHANNEL

3100



Profile Reference	Web Height mm	Flange Width mm	Channel Height mm	Weight kg / metre	Bearing Reference	Plate Reference	Section Shape
3100	152.4	83	108.4	40.6	4.060	-	I Section

PROFILE REFERENCE: **3100**

Weight: 40.6kg per metre

Moment of Area (Wx): 219.1cm³

Material: S450J2

Use with our:

4.060 Standard Combined Roller Bearing

4.460 Eccentric Adjustable CR Bearing

Other suitable bearings:

4.078 Shim Adjustable CR Bearing

www.euro-bearings.com