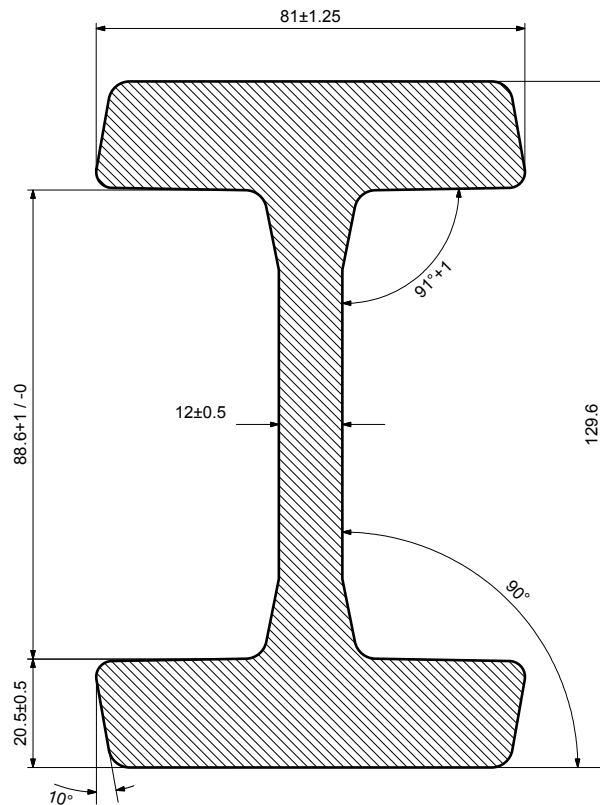


STANDARD CHANNEL

3020



Profile Reference	Web Height mm	Flange Width mm	Channel Height mm	Weight kg / metre	Bearing Reference	Plate Reference	Section Shape
3020	129.6	81	88.6	34	4.058	PLATE 3	I Section

PROFILE REFERENCE: **3020**

Weight: 34.1kg per metre

Moment of Area (Wx): 160cm³

Material: S450J2

Use with our:

4.058 Standard Combined Roller Bearing

4.458 Eccentric Adjustable CR Bearing