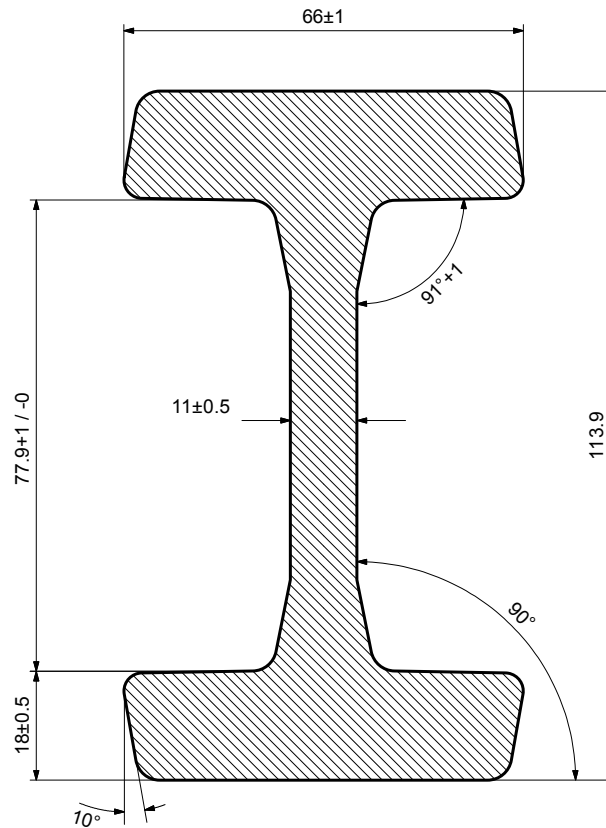


STANDARD CHANNEL

3019



Profile Reference	Web Height mm	Flange Width mm	Channel Height mm	Weight kg / metre	Bearing Reference	Plate Reference	Section Shape
3019	113.9	66.1	77.9	25.3	4.057	-	I Section

PROFILE REFERENCE: **3019**

Weight: 25.3kg per metre

Moment of Area (Wx): 101.7cm³

Material: S450J2

Use with our:

4.057 Standard Combined Roller Bearing

4.457 Eccentric Adjustable CR Bearing

Other suitable bearings:

4.075 Shim Adjustable CR Bearing

www.euro-bearings.com