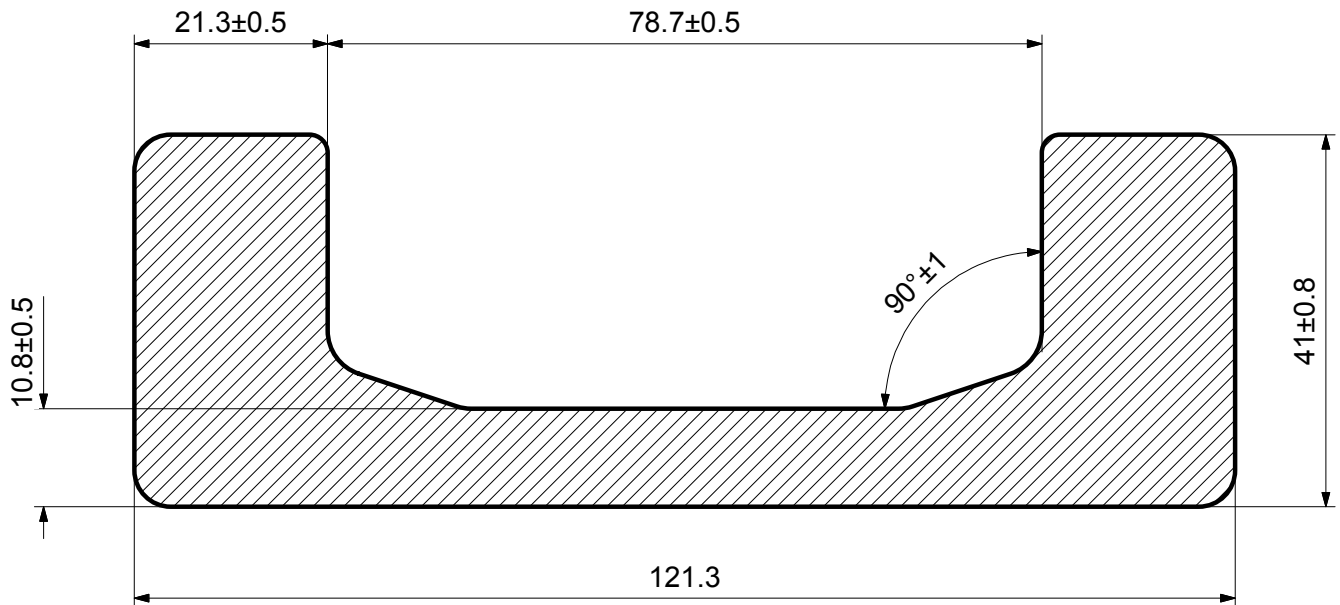


**STANDARD CHANNEL**

**2810**



Profile Reference	Web Height mm	Flange Width mm	Channel Height mm	Weight kg / metre	Bearing Reference	Plate Reference	Section Shape
<b>2810</b>	121.3	41	78.7	20.9	4.056	PLATE 2	C Section

PROFILE REFERENCE: **2810**

Weight: 20.9kg per metre

Moment of Area (Wx): 81.3cm<sup>3</sup>

Material: S450J2

Use with our:

**4.056** Standard Combined Roller Bearing

**4.456** Eccentric Adjustable CR Bearing

Other suitable bearings:

**4.074** Shim Adjustable CR Bearing

**2.2077** Radial Roller Bearing

**MRS 907** Channel Ball Bearing