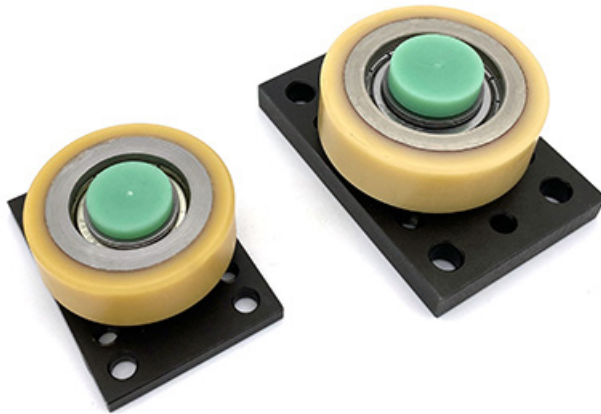


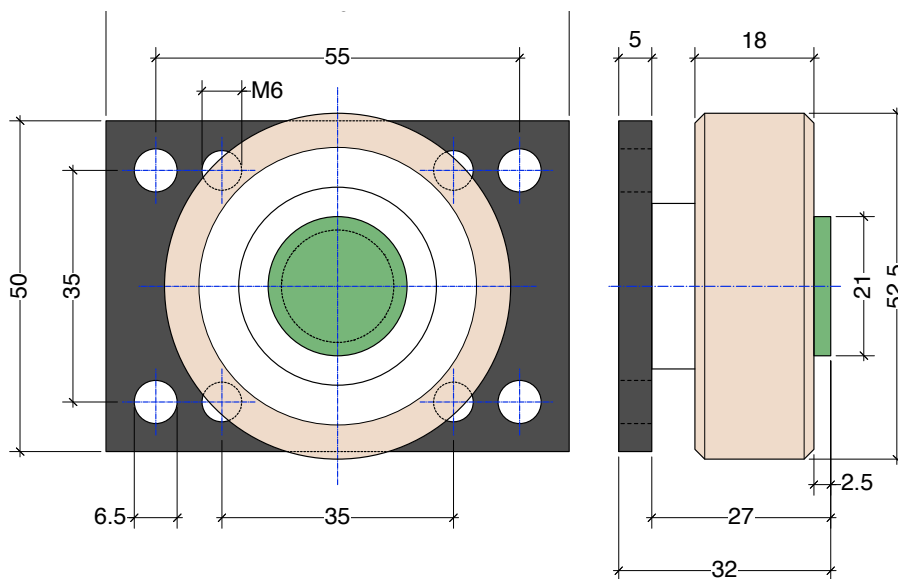
VULKOLLAN BEARINGS



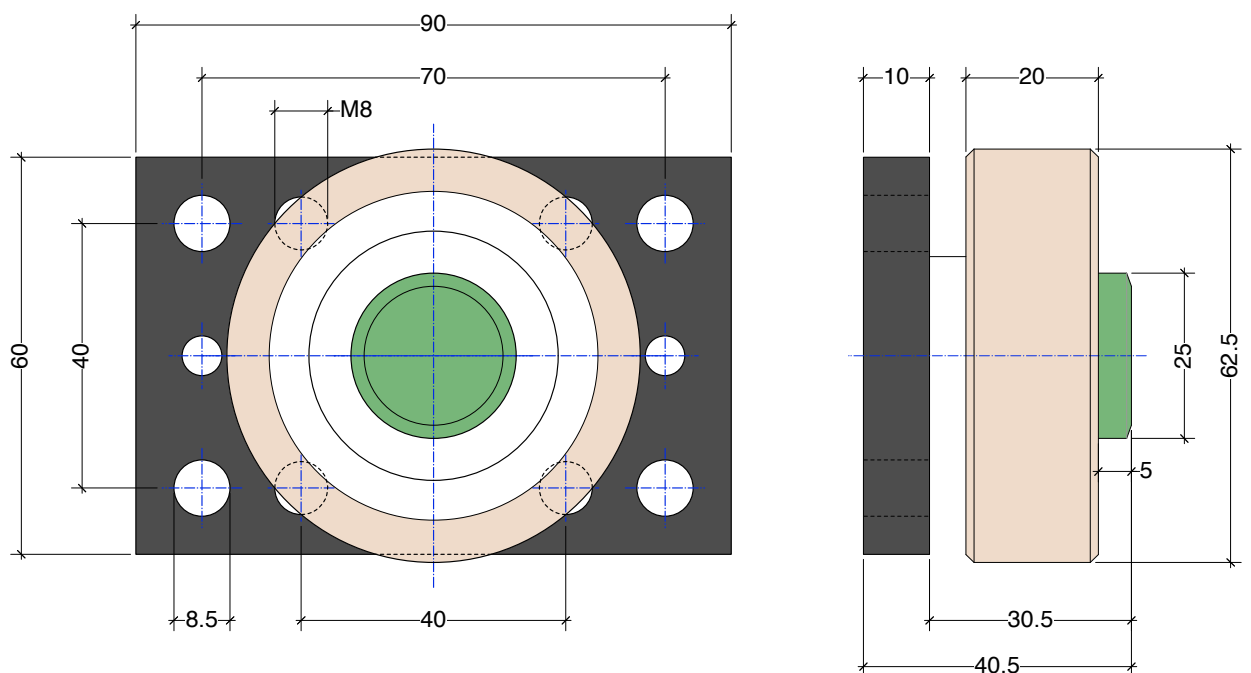
The Vulkollan coated bearings are available in two sizes - 52.5mm \varnothing and 62.5mm \varnothing . They are designed to be used with the standard channels.

The complete assembly includes the bearing, the hub, an Oilamid rubbing block & the mounting plate. The Oilamid block helps the system run true and can be adjusted via a screw.

V.053+PLV53 - for use with EC053 rail

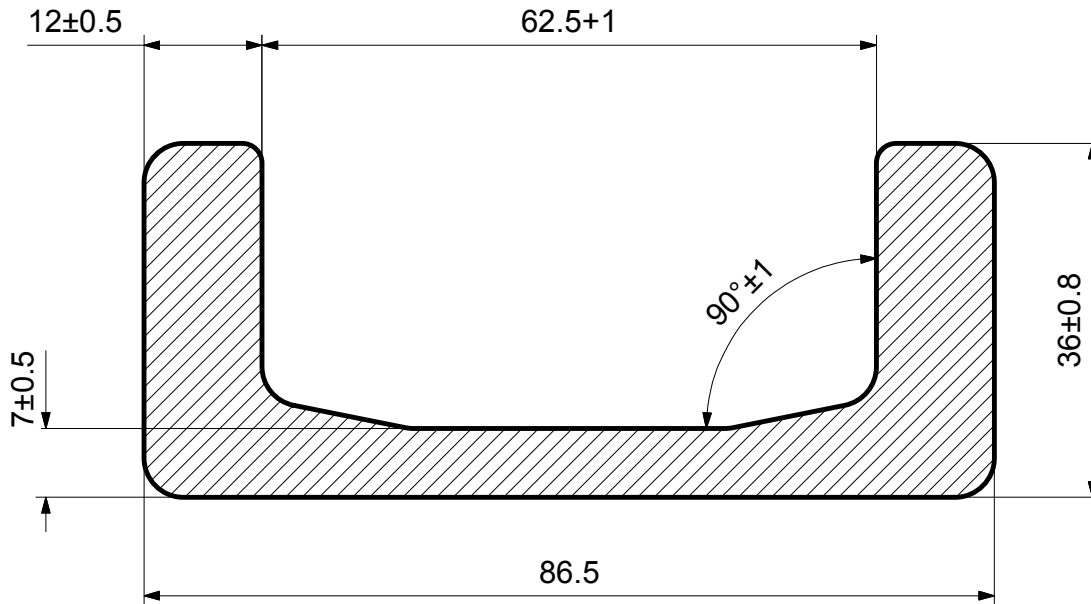


V.054+PLV54 - for use with 2890 rail



STANDARD CHANNEL

2890



Profile Reference	Web Height mm	Flange Width mm	Channel Height mm	Weight kg / metre	Bearing Reference	Plate Reference	Section Shape
2890	86.5	36	62.5	10.5	4.054	PLATE 0	C Section

PROFILE REFERENCE: **2890**

Weight: 10.5kg per metre

Moment of Area (Wx): 31.7cm³

Material: S450J2

Use with our:

4.054 Standard Combined Roller Bearing

4.454 Eccentric Adjustable CR Bearing

Other suitable bearings:

4.072 Shim Adjustable CR Bearing

2.2062 Radial Roller Bearing

MRS 948 Channel Ball Bearing