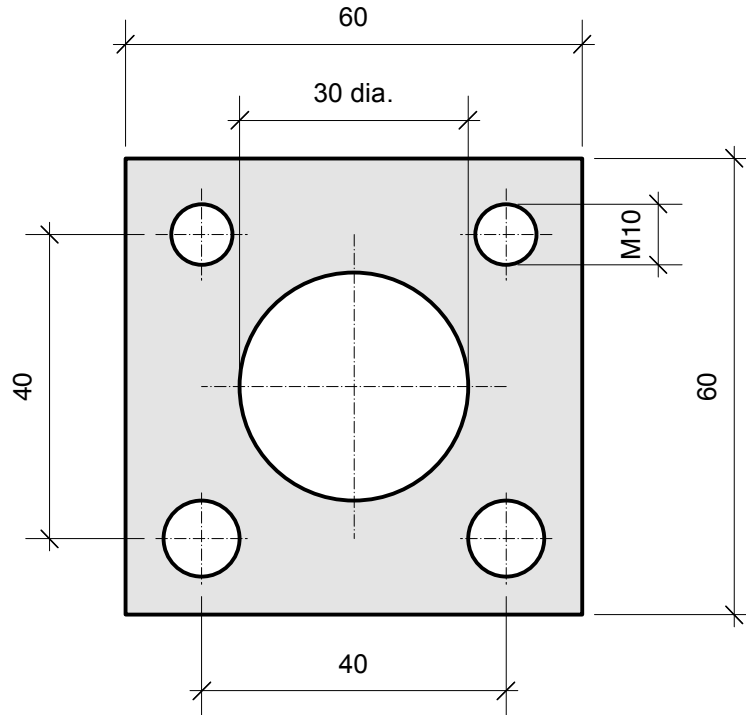


NOTE: THIS DRAWING IS NOT TO SCALE

**SQUARE MOUNTING PLATE**

**PL0 SQ**

**THICKNESS: 10mm**



**PLATE REFERENCE: PL0 SQ**

**WELD TO BEARING: 4.054 or 4.454 or 4.072 or 2.2062**

**USE WITH**

**STEEL CHANNEL: 2890**