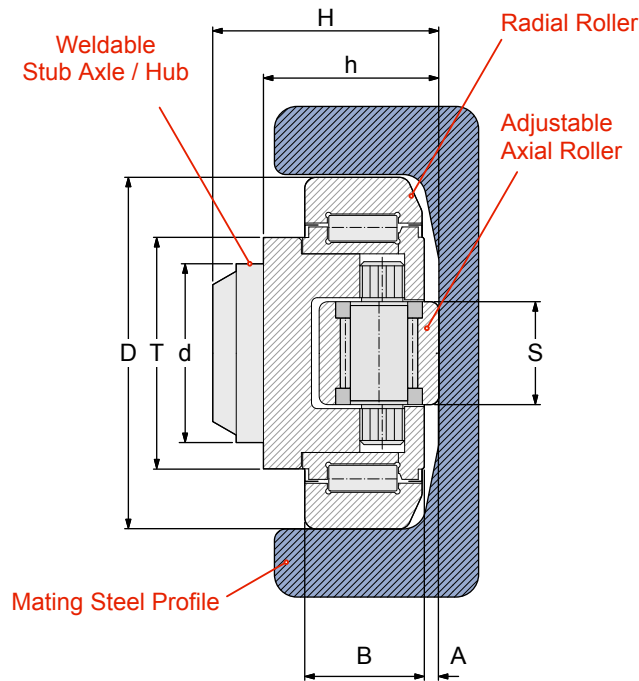


**ECCENTRIC ADJUSTABLE
CR BEARINGS**



Our adjustable Combined Roller bearings have the side (axial) roller mounted on an eccentric shaft which allows for adjustment of their height (dimension 'h' on the chart below).

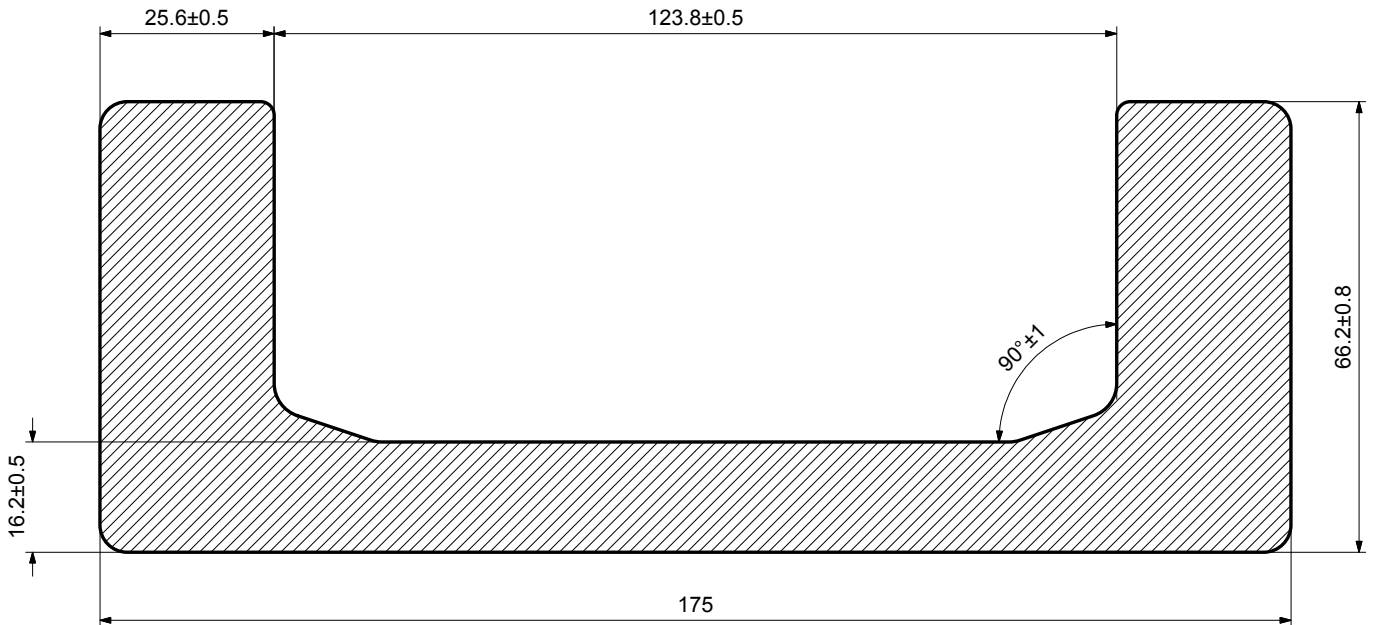
BEARING REFERENCE	Dimensions (mm)									C	C ₀	C _a	C _{oa}	Maximum RPM	PROFILE REF	PLATE REF
	D	T	d	H	h	B	A	S	r							
4.454	62	42	30	37.5	30.5 - 32	20	4	20	3	31	35.5	11	11	900	2890	PL 0
4.455	70.1	48	35	44	36 - 37.5	23	4	20	4	45	51	18	18	900	2867	PL 1
4.456	77.7	54	40	48	37 - 38.5	23	3.5	26	4	48	56.8	18	18	800	2810	PL 2
4.457	77.7	54	40	40	29 - 30.5	23	3.5	26	4	48	56.8	18	18	800	3019	
4.458	88.4	59	45	57	44 - 45.5	30	4	26	4	68	72	23	23	750	2811	PL 3
4.459	101.2	69	50	46	33 - 35	26	4.5	30	3	73	82	25	27	700	2912	
4.460	107.7	69	55	54	40 - 42	31	4	30	5	81	95	25	27	650	3100	
4.461	107.7	69	60	69	55 - 57	31	4	30	5	81	95	25	27	650	2862	PL 4
4.462	123	80	60	72.3	56 - 60	37	4.5	34	5	110	132	31	36	550	2891	PL 4
4.463	149	103	60	78.5	58.5 - 62.5	45	6	34	3	151	192	31	36	450	2757	PL 6

C = Dynamic Load Capacity for radial roller
 C₀ = Static Load Capacity for radial roller
 C_a = Dynamic Load Capacity for axial (side) roller
 C_{oa} = Static Load Capacity for axial roller

For guidance on how to adjust the height of the face roller of our eccentric CR bearings please see page 34.

STANDARD CHANNEL

2891



Profile Reference	Web Height mm	Flange Width mm	Channel Height mm	Weight kg / metre	Bearing Reference	Plate Reference	Section Shape
2891	175	66.2	123.8	42.8	4.062	PLATE 4	C Section

PROFILE REFERENCE: **2891**

Weight: 42.8kg per metre

Moment of Area (Wx): 249.7cm³

Material: S450J2

Use with our:

4.062 Standard Combined Roller Bearing

4.462 Eccentric Adjustable CR Bearing

Other suitable bearings:

2.2123 Radial Roller Bearing

4.079 Shim Adjustable CR Bearing

NOTE: THIS DRAWING IS NOT TO SCALE

MOUNTING PLATE

PL4

THICKNESS: 20mm

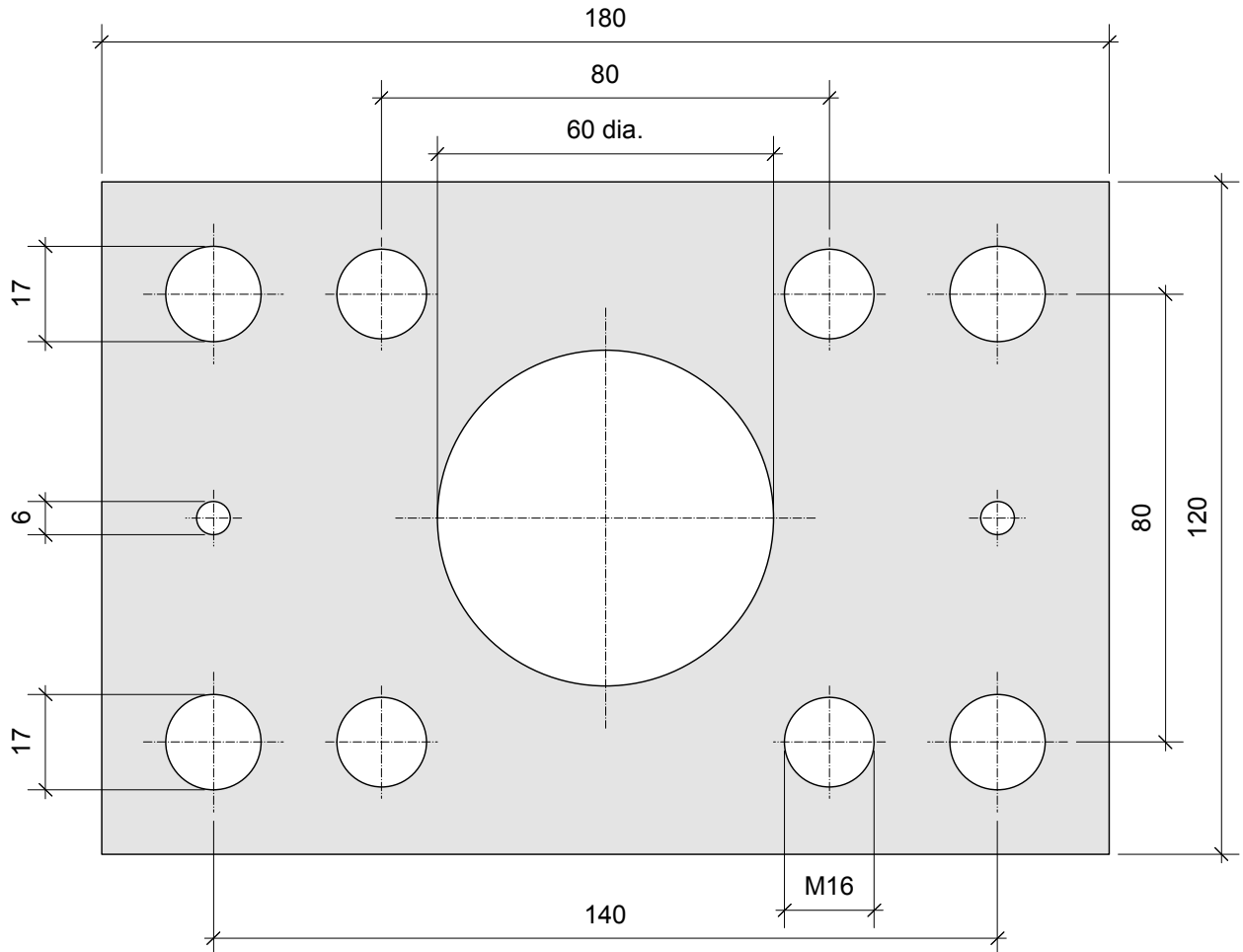


PLATE REFERENCE: PL4

WELD TO BEARING:

4.061 or 4.461 or 2.2107

4.062 or 4.462 or 2.2123

USE WITH

STEEL CHANNEL: 2862 or 2891

www.euro-bearings.com