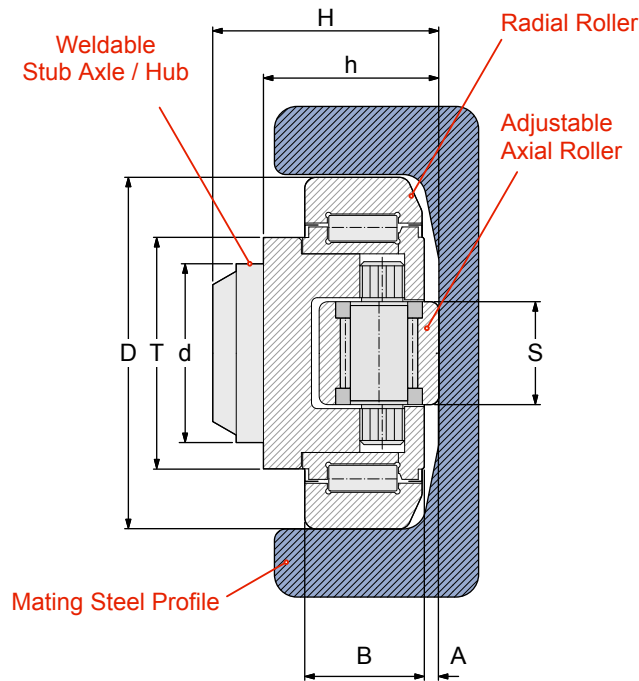


**ECCENTRIC ADJUSTABLE  
CR BEARINGS**



Our adjustable Combined Roller bearings have the side (axial) roller mounted on an eccentric shaft which allows for adjustment of their height (dimension 'h' on the chart below).

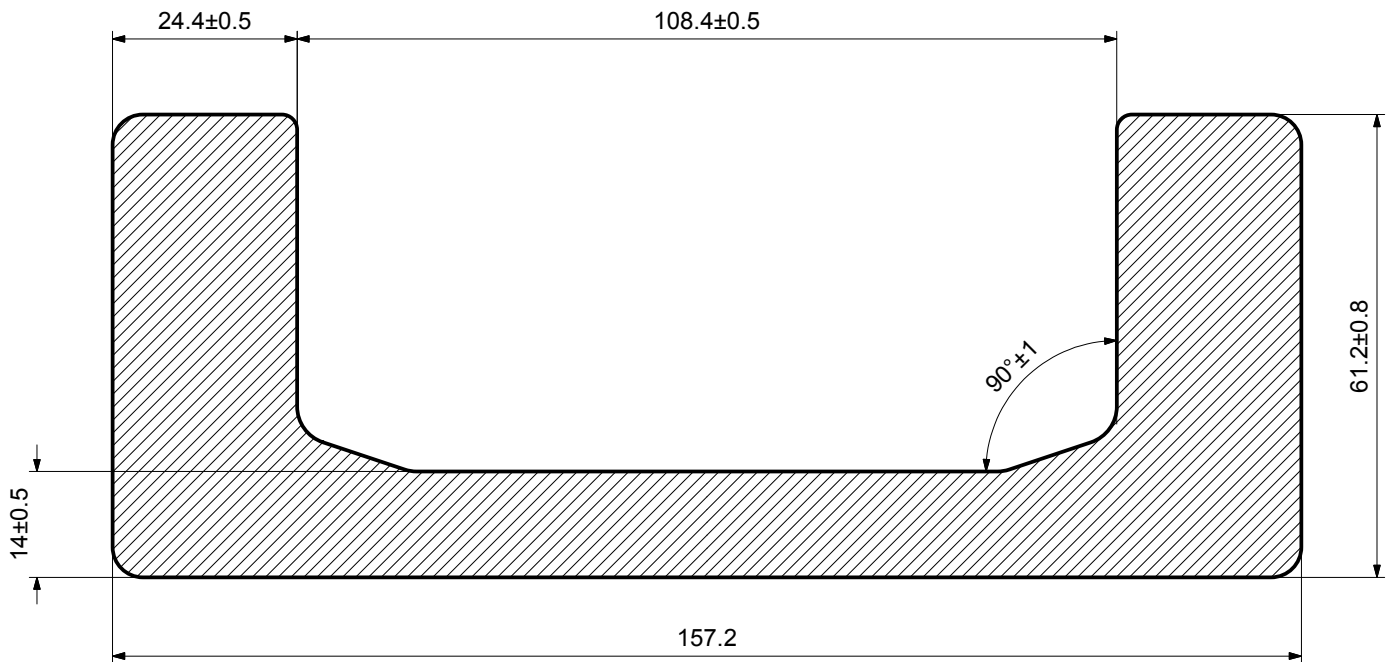
BEARING REFERENCE	Dimensions (mm)									C	C <sub>0</sub>	C <sub>a</sub>	C <sub>oa</sub>	Maximum RPM	PROFILE REF	PLATE REF
	D	T	d	H	h	B	A	S	r							
4.454	62	42	30	37.5	30.5 - 32	20	4	20	3	31	35.5	11	11	900	2890	PL 0
4.455	70.1	48	35	44	36 - 37.5	23	4	20	4	45	51	18	18	900	2867	PL 1
4.456	77.7	54	40	48	37 - 38.5	23	3.5	26	4	48	56.8	18	18	800	2810	PL 2
4.457	77.7	54	40	40	29 - 30.5	23	3.5	26	4	48	56.8	18	18	800	3019	
4.458	88.4	59	45	57	44 - 45.5	30	4	26	4	68	72	23	23	750	2811	PL 3
4.459	101.2	69	50	46	33 - 35	26	4.5	30	3	73	82	25	27	700	2912	
4.460	107.7	69	55	54	40 - 42	31	4	30	5	81	95	25	27	650	3100	
4.461	107.7	69	60	69	55 - 57	31	4	30	5	81	95	25	27	650	2862	PL 4
4.462	123	80	60	72.3	56 - 60	37	4.5	34	5	110	132	31	36	550	2891	PL 4
4.463	149	103	60	78.5	58.5 - 62.5	45	6	34	3	151	192	31	36	450	2757	PL 6

C = Dynamic Load Capacity for radial roller  
 C<sub>0</sub> = Static Load Capacity for radial roller  
 C<sub>a</sub> = Dynamic Load Capacity for axial (side) roller  
 C<sub>oa</sub> = Static Load Capacity for axial roller

**For guidance on how to adjust the height of the face roller of our eccentric CR bearings please see page 34.**

STANDARD CHANNEL

2862



Profile Reference	Web Height mm	Flange Width mm	Channel Height mm	Weight kg / metre	Bearing Reference	Plate Reference	Section Shape
2862	157.2	61.2	108.4	36	4.061	PLATE 4	C Section

PROFILE REFERENCE: **2862**

Weight: 36.0kg per metre

Moment of Area (Wx): 190.1cm<sup>3</sup>

Material: S450J2

Use with our:

**4.061** Standard Combined Roller Bearing

**4.461** Eccentric Adjustable CR Bearing

Other suitable bearings:

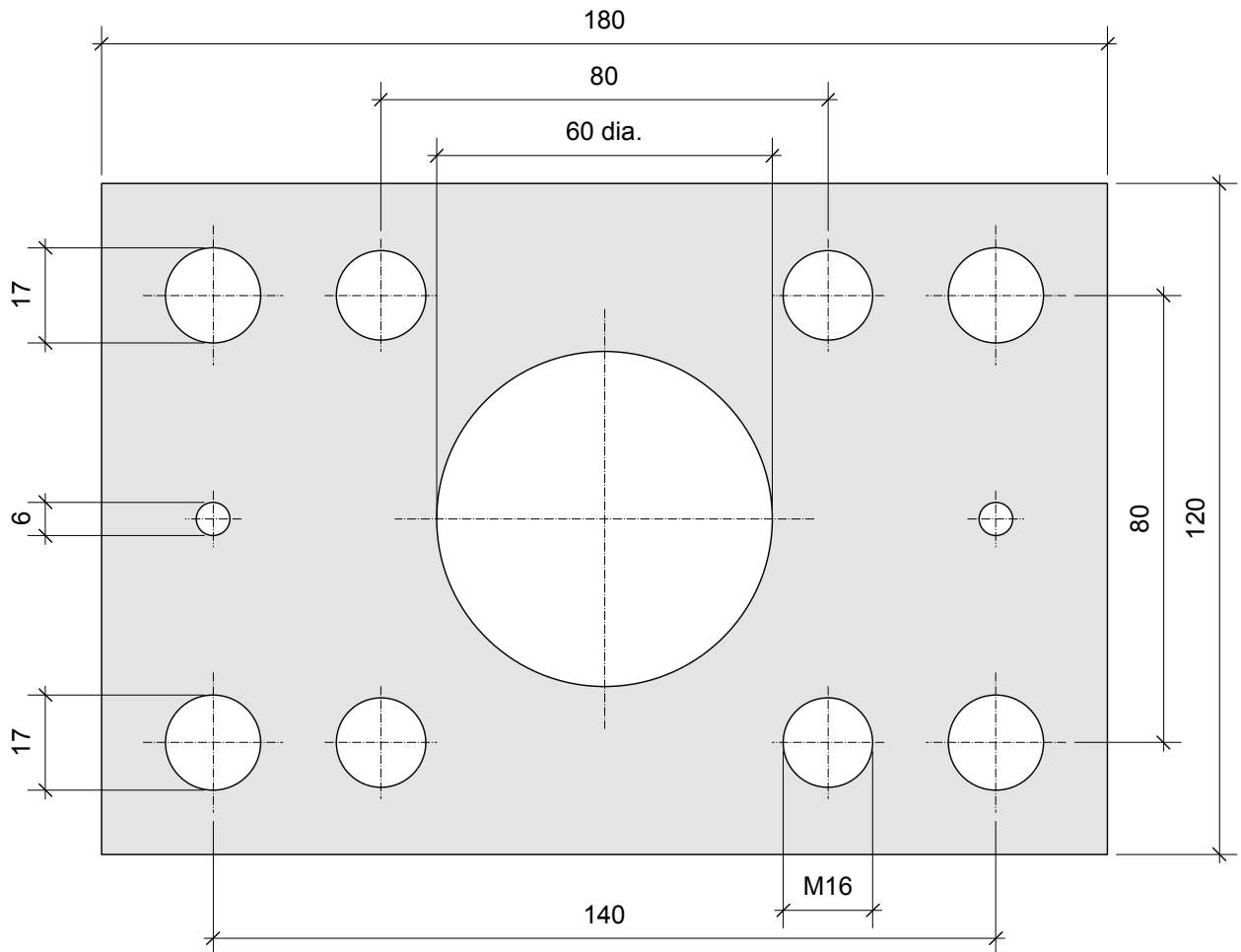
**2.2107** Radial Roller Bearing

NOTE: THIS DRAWING IS NOT TO SCALE

**MOUNTING PLATE**

**PL4**

**THICKNESS: 20mm**



**PLATE REFERENCE: PL4**

**WELD TO BEARING:**

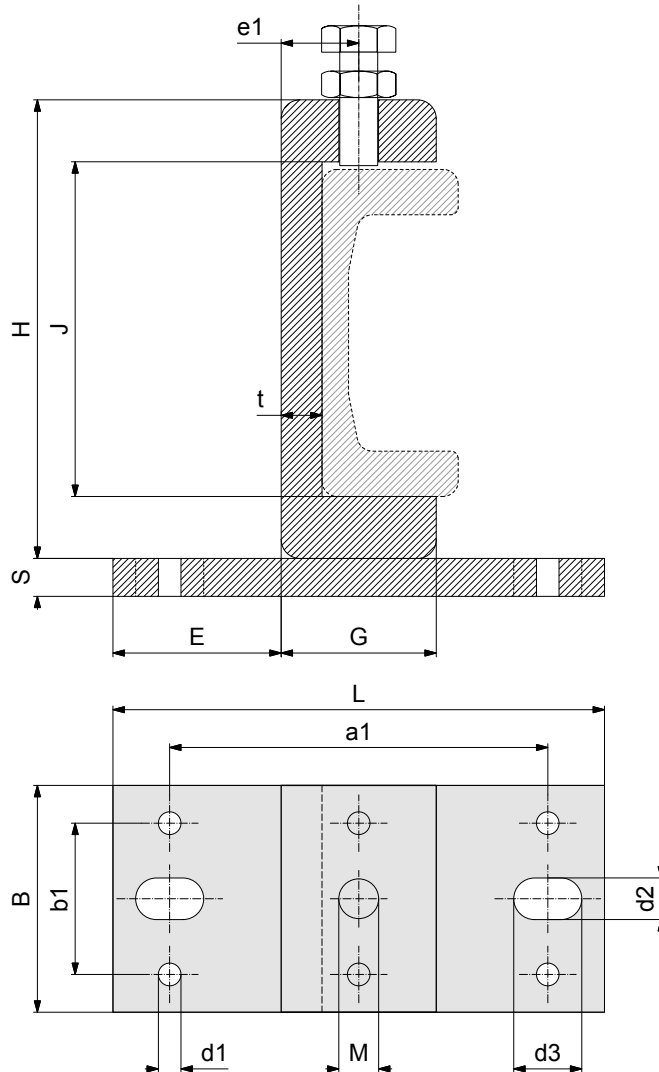
**4.061 or 4.461 or 2.2107**

**4.062 or 4.462 or 2.2123**

**USE WITH**

**STEEL CHANNEL: 2862 or 2891**

**FLANGED CLAMPS FOR STANDARD CHANNEL**



CLAMP REFERENCE	FOR PROFILE REFERENCE	Dimensions (mm)														Weight (kg)	
		H	B	L	S	J	E	G	t	a1	b1	d1	d2	d3	e1	M	
CF0	2890	121.3	60	130	10	88.5	44.5	41.0	10.8	100	40	6	11	18	20.5	M10x30	1.62
CF1	2867	135.4	60	130	10	105.0	38.5	53.0	12.7	100	40	6	11	18	26.5	M10x30	1.95
CF2	2810	157.2	80	160	15	123.0	49.5	61.2	14.0	130	60	6	13	18	30.6	M12x35	3.70
CF3	2811	175	80	160	15	137.5	46.9	66.2	16.2	130	60	6	13	18	33.1	M12x35	4.20
CF4	2862	201.5	80	160	15	159.0	44.4	71.2	19.4	130	60	6	13	18	35.6	M12x35	5.05